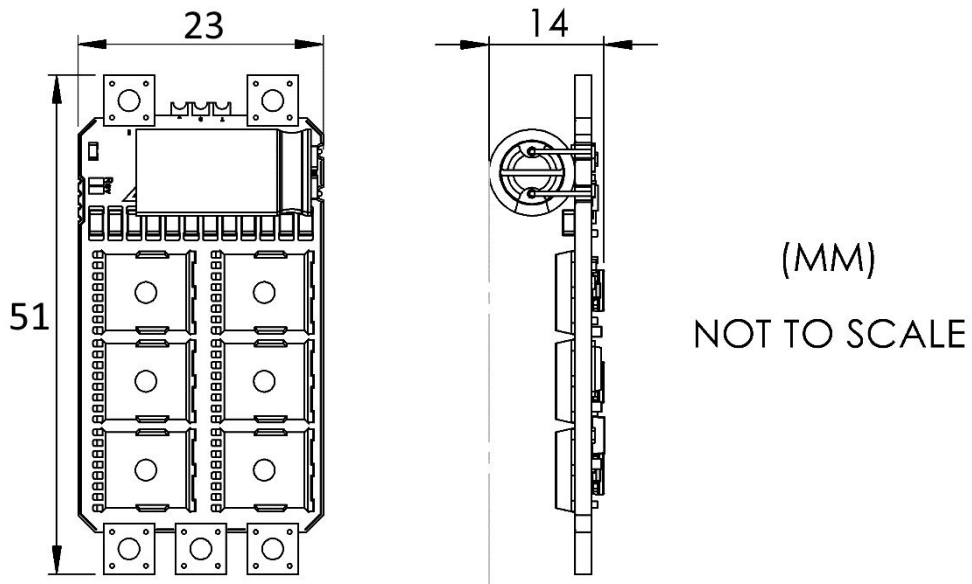




APD F Series: 80F3 Datasheet

Version	1.0	Date	3 rd January 2020
---------	-----	------	------------------------------

Drawings



Specification

Peak Power Rating (kW)	4	Weight (No cables) (g)	10
Continuous Current (A)	80	Dimensions (mm)	51 x 23 x 14
Continuous Rating Duration (s)	180	ProShot Frequency Range (Auto Detection) (kBit/Sec)	1000
Burst Current (A)	140	DShot Frequency Range (Auto Detection) (kBit/Sec)	300 to 1200
Burst Rating Time (s)	5	Auto-detect Multishot	NO
Max Voltage (V)	35	Auto PWM-Freq	YES
Max ERPM	750,000	Regenerative Braking	YES
Input Resolution	10 bit	Max Regen Current (A)	10
	0.1%	Max Regen Voltage	110% Power on Voltage
Max No. of LiPo Cells (S)	8	Auto Timing Advance	YES
Min Voltage (V)	9	Stall Protection	YES
Min S (LiPo)	4	Configurator Tool	NO
Max Operating Temperature (°C) (50% current limiter threshold)	115	Data Logging (Black Box)	NO
Recommended Airflow to achieve max power ratings (m/s)	10	Bi-Directional Control	NO
Decoupling Capacitor	1 X 330uF 50V	Micro USB Firmware Flashing	NO

CAD Files

<https://a360.co/2QWJIN8>