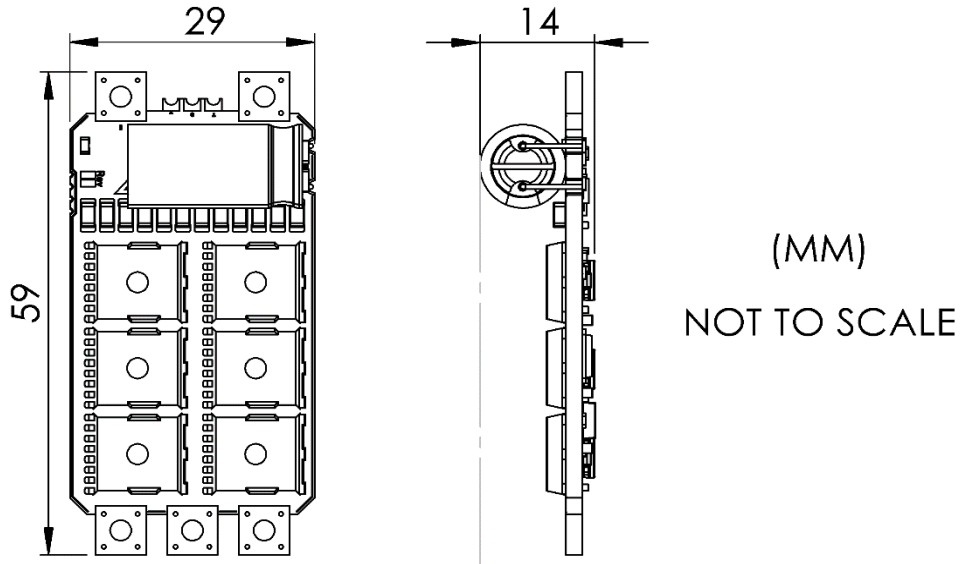


## APD F Series: 120F3 Datasheet

Version: 1.1

### Drawings



### Specification

Peak Power Rating (kW)	9	Weight (No cables) (g)	20
Continuous Current (A)	120	Dimensions (mm)	59 × 29 × 14
Continuous Rating Duration (s)	180	Input Signal PWM Frequency	Up to 500Hz
Burst Current (A)	200	Input PWM Frequency Pulse Width (ms)	1000μs to 2000μs
Burst Rating Duration (s)	5	Motor De-sync Protection	YES
Max Voltage (V)	50	Auto Motor PWM-Freq	YES
Max No. of LiPo Cells	12S	Regenerative Braking	YES
Min Voltage (V)	15	Max Regen Current (A)	12 (10% max set current)
Min No. of LiPo Cells	4	Max Regen Voltage	110% Power on Voltage
Max ERPM	750,000	Auto Timing Advance	YES
Input Resolution	10 bit (0.1%)	Stall Protection	YES
		Configurator Tool	NO
Max Operating Temperature (°C) (50% current limit start point)	115	Data Logging (Black Box)	NO
Recommended Airflow to achieve max power ratings (m/s)	10	Bi-Directional Control	NO
Decoupling Capacitor	1 X 330μF 50V	Micro USB Firmware Flashing	NO

#### CAD Files

<https://a360.co/39FoAi6>

#### Quick Start Guide

<https://docs.powerdrives.net/products/f-series-esc>