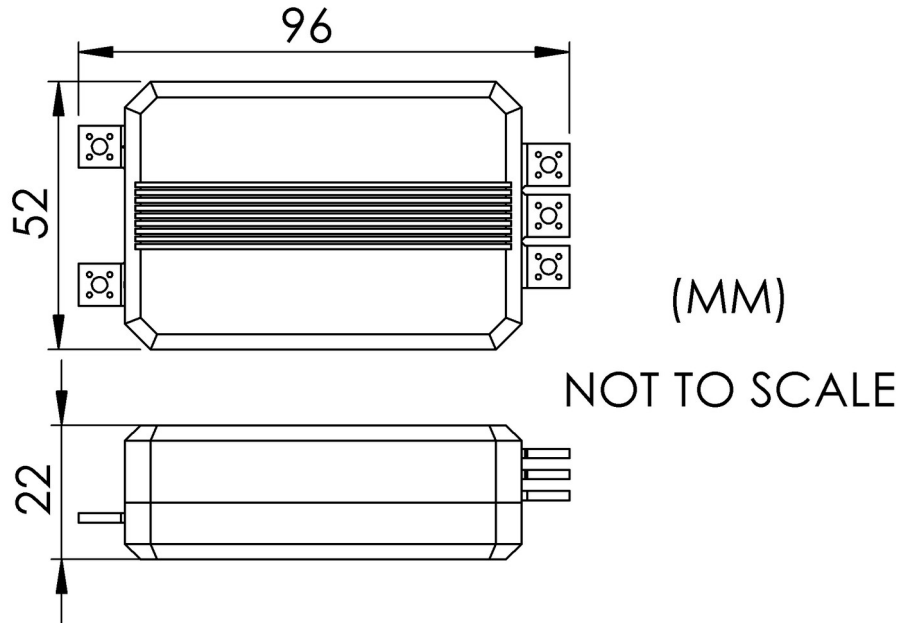


## APD HV\_Pro Series: HV\_Pro14S Datasheet

Version: 1.1

### Drawings



### Specification

Peak Power Rating (kW)	30	Weight (No cables) (g)	155
Continuous Current (A)	240	Dimensions (mm)	96 x 52 x 22
Continuous Rating Duration (s)	180	Input Signal PWM Frequency	Up to 500Hz
Burst Current (A)	360	Input PWM Frequency Pulse Width (ms)	1000µs to 2000µs (Adjustable)
Burst Rating Duration (s)	5	Motor De-sync Protection	YES
Max Voltage (V)	60	Auto Motor PWM-Freq	YES
Max No. of LiPo Cells	14S	Regenerative Braking	YES
Min Voltage (V)	15	Max Regen Current (A)	30 (10% max set current)
Min No. of LiPo Cells	5S	Max Regen Voltage	110% Power on Voltage
Max ERPM	1,000,000	Auto Timing Advance	YES
Input Resolution	12 bit (0.02%)	Stall Protection	YES
		Configurator Tool	YES
Max Operating Temperature (°C) (50% current limit start point)	115	Data Logging (Black Box)	YES
Recommended Airflow to achieve max power ratings (m/s)	10	Bi-Directional Control	YES
Decoupling Capacitor	Not Included	Micro USB Firmware Flashing	YES

#### Quick Start Guide

[https://docs.powerdrives.net/products/hv\\_pro](https://docs.powerdrives.net/products/hv_pro)

#### CAD Drawings

<https://a360.co/31OJ19s>