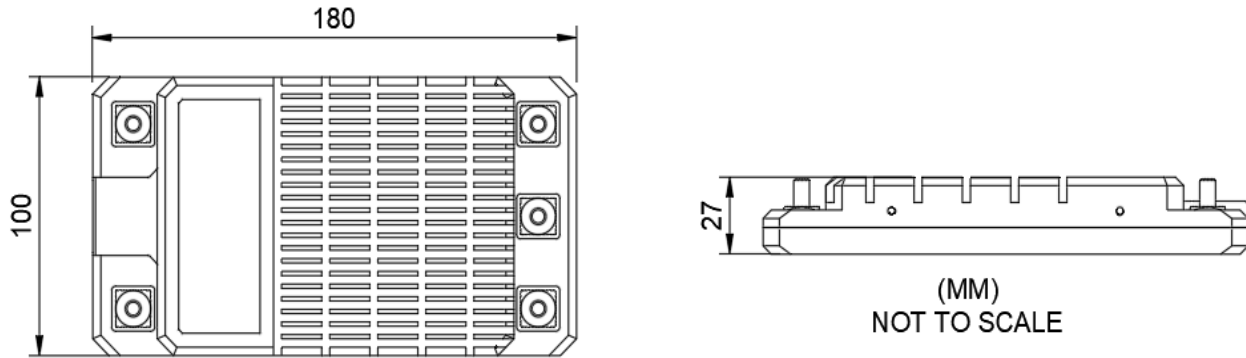


APD UHV Series: UHV20S Datasheet

Version	1.4	Date	20th December 2021
----------------	-----	-------------	--------------------

Drawings



Specification

Peak Power Rating (kW)	38	Weight (No cables) (g)	740
Continuous Power Rating (kW)	34	Weight (No enclosure) (g)	296
Continuous Current (A)	400	Dimensions (mm)	180 × 100 × 27
Continuous Rating Duration (s)	Cooling Dependant	Input Signal PWM Frequency	Up to 500Hz
Burst Current (A)	450	Input PWM Frequency Pulse Width (ms)	1000µs to 2000µs (Adjustable)
Burst Rating Duration (s)	10	Motor De-sync Protection	YES
Max Voltage (V)	85	Auto Motor PWM-Freq	YES
Max No. of LiPo Cells	20S	Regenerative Braking	YES
Min Voltage (V)	15	Max Regen Current (A)	40 (10% max set current)
Min No. of LiPo Cells	5S	Max Regen Voltage	110% Power on Voltage
Max ERPM	1,000,000	Auto Timing Advance	YES
Input Resolution	12 bit (0.02%)	Stall Protection	YES
		Configuration Tool	YES
Max Operating Temperature (°C) (50% current limit start point)	115	Data Logging (Black Box)	YES
Recommended Airflow to achieve max power ratings (m/s)	Not necessary with fan	Bi-Directional Control	YES
Decoupling Capacitor	Internal	Micro USB Firmware Flashing	YES
Screw Terminals	Würth 7461098	Signal/Telemetry Receptacle	Harwin M80-5401442
Recommended Cable Lugs	Würth 5580616	Signal/Telemetry Connector	Harwin M80-4601442
CAD Drawing	Quick Start Guide		
https://docs.powerdrives.net/downloads/cad-downloads	https://docs.powerdrives.net/products/uhv-esc		