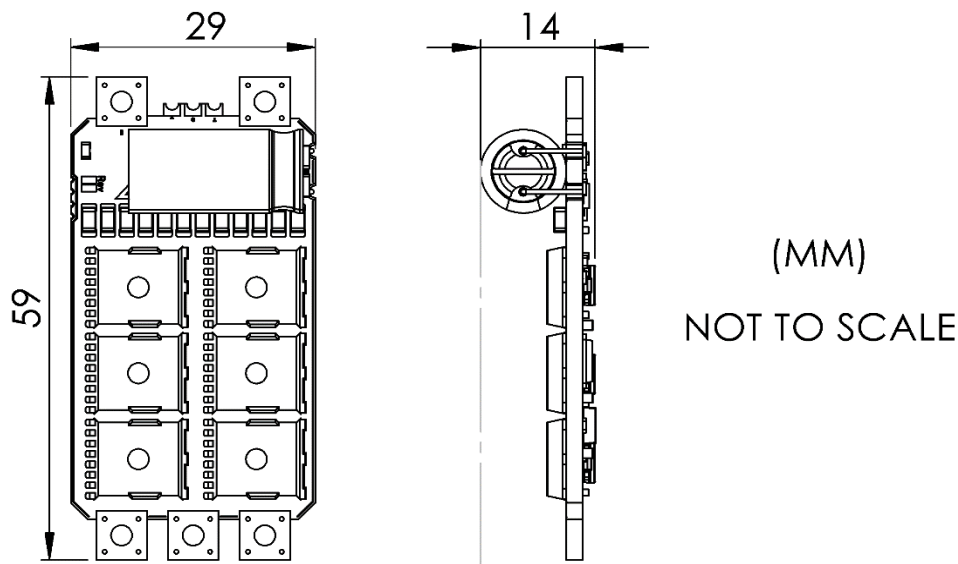




## APD F Series: 120F3[X] Datasheet

<b>Version</b>	1.5	<b>Date</b>	20 <sup>th</sup> December 2021
----------------	-----	-------------	--------------------------------

### Drawings



### Specification

<b>Peak Power Rating (kW)</b>	9	<b>Weight (No cables) (g)</b>	20
<b>Continuous Current (A)</b>	120	<b>Dimensions (mm)</b>	59 × 29 × 14
<b>Continuous Rating Duration (s)</b>	60	<b>ProShot Frequency Range (Auto Detection) (kBit/Sec)</b>	1000
<b>Burst Current (A)</b>	200	<b>DShot Frequency Range (Auto Detection) (kBit/Sec)</b>	300 to 1200
<b>Burst Rating Time (s)</b>	5	<b>PWM Pulse Frequency Range (Auto Detection) (Hz)</b>	50 to 499
<b>Max Voltage (V)</b>	50	<b>Auto Output PWM-Freq</b>	YES
<b>Max ERPM</b>	750,000	<b>Regenerative Braking</b>	YES
<b>Input Resolution</b>	10 bit	<b>Max Regen Current (A)</b>	12 (10% Max Current)
	0.1%	<b>Max Regen Voltage</b>	110% Power on Voltage
<b>Max No. of LiPo Cells (S)</b>	12	<b>Auto Timing Advance</b>	YES
<b>Min Voltage (V)</b>	15	<b>Stall and Desync Protection</b>	YES
<b>Min S (LiPo)</b>	4	<b>Configurator Tool</b>	NO
<b>Min Operating Temperature (°C)</b>	-20	<b>Data Logging (Black Box)</b>	NO
<b>Max Operating Temperature (°C) (50% current limiter threshold)</b>	115	<b>Bi-Directional Control</b>	NO
<b>Recommended Airflow to achieve max power ratings (m/s)</b>	33	<b>Micro USB Firmware Flashing</b>	NO
<b>Decoupling Capacitor</b>	1 X 330uF 50V (Not Attached)	<b>Country of Origin</b>	Australia

<b>CAD Drawing</b> <a href="https://docs.powerdrives.net/downloads/cad-downloads">https://docs.powerdrives.net/downloads/cad-downloads</a>	<b>Quick Start Guide</b> <a href="https://docs.powerdrives.net/products/f-series-esc">https://docs.powerdrives.net/products/f-series-esc</a>
---	---