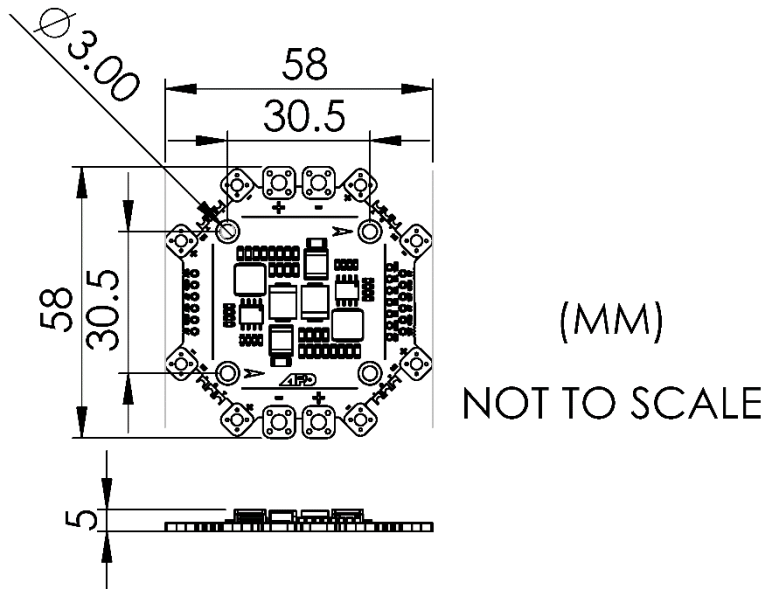




APD PDB Series: PDB360 Datasheet

Version	1.2	Date	20th December 2021
---------	-----	------	--------------------

Drawings



Specification

Continuous Current Total (A)	360	Weight (No cables) (g)	21
Continuous Rating Duration (s)	180	Dimensions (mm)	58 × 58 × 5
Burst Current Total (A)	720	FC Mounting Hole Spacing (mm)	30.5 × 30.5
Burst Rating Time (s)	5	FC shielding from ESC switching noise	Yes (PCB Negative (GND) layer EMI barrier)
Max Voltage (V)	34	Signal/Telemetry line shielding	Yes (Sandwiched between PCB Negative (GND) layers)
Max No. of LiPo Cells (S)	8	Current rating 12V BEC (A)	3
Min Voltage (V)	12	Current rating 5V BEC (A)	1
Min S (LiPo)	4	Max Operating Temperature, Continuous (°C)	105
Recommended Airflow to achieve max power ratings (m/s)	10		

Documentation:

<https://docs.powerdrives.net>

CAD Files

<https://docs.powerdrives.net/downloads/cad-downloads>